

10/541003

Rec'd PCT/PTO 28 JUN 2005

(12) INTERNATIONAL APPLICATION PUBLISHED UNDER THE PATENT COOPERATION TREATY (PCT)

(19) World Intellectual Property Organization International Bureau



(43) International Publication Date 15 July 2004 (15.07.2004)

PCT

(10) International Publication Number WO 2004/058452 A3

(51) International Patent Classification?: B24C 1/08, 1/00, B24B 13/00, 49/12

(21) International Application Number: PCT/NL.2003/000946

(22) International Filing Date: 30 December 2003 (30.12.2003)

(25) Filing Language: Dutch

(26) Publication Language: English

(30) Priority Data: 1022293 31 December 2002 (31.12.2002) NL

(71) Applicants (for all designated States except US): NEDERLANDSE ORGANISATIE VOOR TOEGEPAST-NATUURWETENS CHAPPELIJK ONDERZOEK TNO [NL/NL]; Schoemakerstraat 97, NL-2628 VK Delft (NL); VISION DYNAMICS [NL/NL]; Arafura 1, NL-5691 JA Son (NL).

(72) Inventors; and

(75) Inventors/Applicants (for US only): VAN BRUG,

Hedser [NL/NL]; Waterbies 58, NL-2548 WZ Den Haag (NL); DE HAAN, Hugo, Anton, Marie [NL/NL]; Avafura 1, NL-5691 JA Son (NL); KORPERSHOEK, Jacobus, Johannes [NL/NL]; Koekoekslaan 19, NL-3121 JX Schiedam (NL); SAUNDERS, Ian, J. [NL/NL]; Buiksloterbreek 7, NL-1034 XC Amsterdam (NL).

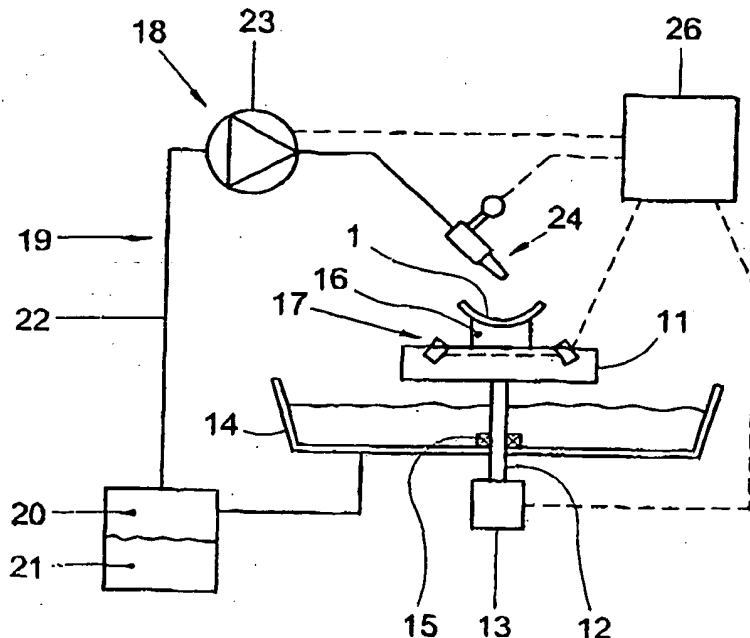
(74) Agent: PRINS, A.W.; Nieuwe Parklaan 97, NL-2587 BN Den Haag (NL).

(81) Designated States (national): AE, AG, AL, AM, AT (utility model), AU, AZ, BA, BB, BG, BR, BW, BY, BZ, CA, CH, CN, CO, CR, CU, CZ (utility model), CZ, DE (utility model), DE, DK (utility model), DK, DM, DZ, EC, EE (utility model), EE, EG, ES, FI (utility model), FI, GB, GD, GE, GH, GM, HR, HU, ID, IL, IN, IS, JP, KE, KG, KP, KR, KZ, LC, LK, LR, LS, LT, LU, LV, MA, MD, MG, MK, MN, MW, MX, MZ, NI, NO, NZ, OM, PG, PH, PL, PT, RO, RU, SC, SD, SE, SG, SK (utility model), SK, SI, SY, TJ, TM, TN, TR, TT, TZ, UA, UG, US, UZ, VC, VN, YU, ZA, ZM, ZW.

(84) Designated States (regional): ARIPO patent (BW, GH, GM, KE, LS, MW, MZ, SD, SL, SZ, TZ, UG, ZM, ZW), Eurasian patent (AM, AZ, BY, KG, KZ, MD, RU, TJ, TM), European patent (AT, BE, BG, CH, CY, CZ, DE, DK, EE,

[Continued on next page]

(54) Title: APPARATUS AND METHOD FOR MANUFACTURING OR WORKING OPTICAL ELEMENTS AND/OR OPTICAL FORMING ELEMENTS, AND SUCH ELEMENT.



(57) Abstract: The invention relates to an apparatus for forming or working optical elements and/or optical forming elements (1) comprising a working apparatus (18) for forming surfaces of form parts by machining or an abrasive technique, wherein at least one measuring device (17) is provided for measuring changes in form and/or surface roughness of said surface when said surface is being worked and, on the basis thereof controlling said working apparatus (18).

TERMIN	30-06-05 (9um)
	15 DEC 2004
SEARCHED	ber. cl. 2012104
MAP	P61391PC00

WO 2004/058452 A3

Best Available Copy